

Class Notes	
<b>Class: VIII</b>	<b>Topic: WORKSHEET BASED ON PT2 PORTION</b>
<b>Subject: SCIENCE</b>	

<b>I. Choose the correct option:</b>
<p><b>1. Spirogyra is</b></p> <p>a) An algae b) A fungi c) A protozoa d) A bacteria</p>
<p><b>2. Burning of charcoal in a closed room will produce</b></p> <p>a) Carbon dioxide b) Nitrogen dioxide c) Carbon monoxide d) All of these</p>
<p><b>3. Kharif crops are sown in:</b></p> <p>a) March -April b) June - September c) October- November d) Any time.</p>
<p><b>4. Which of the following is not true for fertilisers?</b></p> <p>a) They increase the yield. b) Their excessive use disturbs the balance of nutrients in the soil. c) They are generally used in small quantity. d) They are environment-friendly.</p>
<p><b>5. The process of loosening and turning of soil is called</b></p> <p>a) irrigation and manuring b) tilling and ploughing c) digging and winnowing d) harvesting and storage</p>
<p><b>6. Combines are used for:</b></p> <p>a) sowing of seeds b) harvesting the crop c) threshing d) harvesting and threshing both.</p>
<p><b>7. What is a vaccine?</b></p> <p>a) A medicine given to the sick people b) A method of food preservation c) An injection given to diabetics d) A biological preparation that provides immunity against a particular disease.</p>
<p><b>8. Coal is processed in industries to get some useful products. Which of the following is not obtained from coal?</b></p> <p>(a) Coke (b) Coal tar (c) Coal gas (d) CNG</p>
<p><b>9. Naphthalene balls are obtained from coal tar and are used as-</b></p> <p>(a) mosquito repellent (b) honeybee repellent</p>

- (c) moth repellent
- (d) snake repellent

10. . PCRA stands for
- a. Pollution control research association
  - b. Petroleum Conservation Research Association
  - c. Petroleum control research association
  - d. Petrol, coal reserve association.

11. An example of contact force is
- a) Magnetic force
  - b) Frictional force
  - c) Gravitational force
  - d) All of these.

12. During dry weather, while combing hair, sometimes we experience hair flying apart. The force responsible for this is:
- a) force of gravity
  - b) electrostatic force
  - c) force of friction
  - d) magnetic force

13. Read the given statements and select the correct options.  
Statement 1: Kerosene oil and wood do not catch fire on their own at room temperature.  
Statement 2: A combustible material cannot catch fire as long as its temperature is lower than its ignition temperature.
- a) Both statements 1 and 2 are true and statement 2 is the correct explanation of statement 1.
  - b) Both statements 1 and 2 are true but statement 2 is not the correct explanation of statement 1.
  - c) Statement 1 is true and statement 2 is false.
  - d) Both statements 1 and 2 are false.

14. Which of the following term is used to describe the species of plants and animals that are found exclusively in a particular area?
- a) Endemic species
  - b) Endangered species
  - c) Rare species
  - d) Extinct species

15. Which one of the Following are the examples of common algae-
- a) Spirogyra & yeast
  - b) Paramecium & amoeba
  - c) Spirogyra & Chlamydomonas
  - d) Amoeba & Aspergillus

16. Identify the correctly matched pair from the following.
- i. Sunderban – Rhino
  - ii. Ranthambore – Lion
  - iii. Gir – Lion
  - iv. Kaziranga – Sea turtle

17. The process of conversion of fertile lands into deserts is known as:
- i. Famine

- ii. Acid rain
- iii. Drought
- iv. Desertification

18. A group of the population that are capable of interbreeding is known as:

- i. Species
- ii. Flora
- iii. Sal
- iv. Fauna

19. Animals are protected in their natural habitats in a \_\_\_\_\_ .

- i. Garden
- ii. zoological park
- iii. wildlife sanctuary
- iv. aquarium

20. Which of the following is used for making road surface?

- i. Paraffin wax
- ii. Bitumen
- iii. Lubricating oil
- iv. All of the above

21. What is the principle on which fractional distillation is carried out?

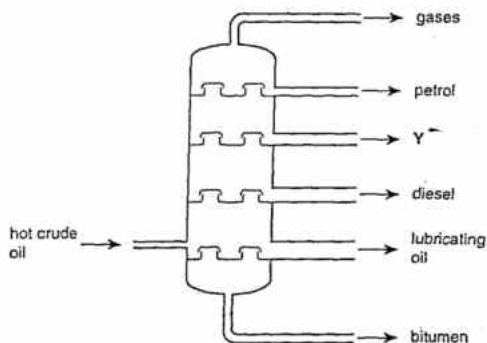
- a) Different densities of each fraction
- b) Different molecular weights of each fraction
- c) Different boiling points of each fraction
- d) Different melting points of each fraction

22. The ignition temperature of sodium is very \_\_\_\_\_ i \_\_\_\_\_. To prevent its \_\_\_\_\_ ii \_\_\_\_\_ combustion, it is stored under \_\_\_\_\_ iii \_\_\_\_\_, . The information in which alternative completes the given statements?

- a) i-low, ii-rapid, iii-Kerosene
- b) i-low, ii-spontaneous, iii-Kerosene
- c) i-high, ii-rapid, iii- water
- d) i-high, ii-spontaneous, iii-water

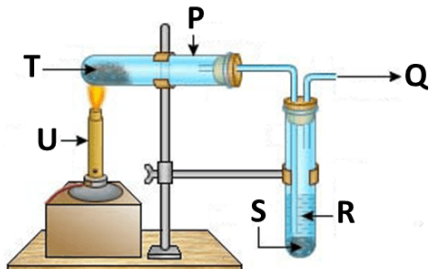
## II. Diagram based questions:

i) Observe the diagram & answer the questions given below.



- Identify the product Y.
- Write 2 uses of Y.
- At what temperature this product Y is vaporized?
- How CNG is a good fuel than petrol & diesel?
- Identify and name the process shown in the figure.

ii) Observe the diagram & answer the questions given below.



- Label the parts –T, Q, R & S
- Write the uses of S, R & T
- Identify and name the process shown in the figure.

iii) Observe the diagram and answer the questions given below:



- Write the working of this fire extinguisher.
- What happens when sulphuric acid reacts with sodium bicarbonate?
- Can we use water to extinguish fire caused by electrical equipment? Give reason for your answer.

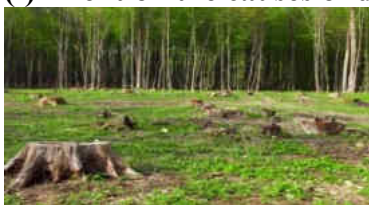
### III. Fill in the blanks:

- Natural gas is stored under high pressure as \_\_\_\_\_.
- Separating the various constituents/ fractions of petroleum is known as \_\_\_\_\_ & is carried out in a \_\_\_\_\_.
- Due to its great commercial importance, petroleum is also called as \_\_\_\_\_.
- The amount of \_\_\_\_\_ resources in nature is limited.
- \_\_\_\_\_ were formed from the dead remains of living organisms millions of years ago.
- \_\_\_\_\_ substances have very low ignition temperature.
- Fuel \_\_\_\_\_ is expressed in terms of its calorific value which is expressed in units of kilojoule per kilogram.
- Oxides of \_\_\_\_\_ and \_\_\_\_\_ produced by the burning of coal, diesel and petrol cause acid rain.
- Calorific Value of Kerosene is \_\_\_\_\_.
- Head of the safety match contains \_\_\_\_\_ and \_\_\_\_\_.
- Red Data Book contains a record of \_\_\_\_\_.
- \_\_\_\_\_ is the restocking of destroyed forests by planting new trees.

- m) \_\_\_\_\_ is a group of population which are capable of interbreeding.
- n) The state of motion of an object is described by its \_\_\_\_\_ and the \_\_\_\_\_ of motion.
- o) The force exerted by a charged body on another charged or uncharged body is known as \_\_\_\_\_.
- p) The force acting on a unit area of a surface is called \_\_\_\_\_.
- q) Force has \_\_\_\_\_ as well as \_\_\_\_\_.
- r) The process of conversion of sugar into alcohol is known as \_\_\_\_\_.
- s) \_\_\_\_\_ is the first antibiotic and was discovered by \_\_\_\_\_.
- t) \_\_\_\_\_ discovered the vaccine for smallpox.
- u) The supply of water to crops at regular intervals is called \_\_\_\_\_.
- v) \_\_\_\_\_ is the cutting of the mature crop manually or by machines.
- w) Mustard is a \_\_\_\_\_ crop whereas Soyabean is a \_\_\_\_\_ crop.
- x) The black thick liquid with \_\_\_\_\_ smell is known as coal tar.
- y) Foot and mouth disease of cattle is caused by a \_\_\_\_\_.

**Answer the following:**

- (a) Describe any five consequences of deforestation.
- (b) (i) What is biodiversity?  
(ii) Why is the conservation of biodiversity important?
- (c) What are antibiotics? Write the precautions that should be taken while consuming antibiotics.
- (d) Why it is difficult to burn a heap of green leaves but dry leaves catch fire easily. Explain.
- (e) What are the advantages of using CNG & LPG as fuel?
- (f) Mention the causes of deforestation.



- (g) Name the products obtained and their uses when coal is processed in industry.
- (h) Write some important uses of the various constituents of petroleum.
- (i) Why is sodium kept immersed in kerosene?
- (j) 60 kg of fuel was completely burnt for an experiment. The amount of heat energy was found to be 1,80,000 kJ. Calculate the calorific value of the fuel.
- (k) Although wood has a very high calorific value, we still discourage its use as a fuel. Explain.
- (l) Why it is easier to walk on soft sand if we have flat shoes rather than shoes with sharp heels?

- (m) A force of 200 N is applied on an area of 5 m<sup>2</sup>. Calculate the pressure being applied on the area.**
- (n) Define the term agricultural practices and also state the important steps taken during crop production.**
- (o) What is the advantage of modern agriculture implements over traditional ones?**
- (p) Describe food poisoning.**



- (q) What happens when yeast powder is added to sugar solution and kept for 4-5 hours? Give reason for your answer.**
- (r) What are antibiotics? What are the precautions to be taken while taking antibiotics?**
- (s) Write the calorific value of Petrol, Cow dung cake, LPG, Hydrogen, Wood and Methane.**