

# PT-2/HALF YEARLY EXAMINATION, 2022-23

## AGRICULTURE

Time - 7:15 AM to 10:20 AM

Class - XI

M.M. : 60

Date – 07.09.2022 (Wednesday)

Name of the student \_\_\_\_\_ Section \_\_\_\_\_

### General Instructions:

- Please read the instructions carefully.
- This Question Paper is divided into 03 sections, viz., Section A, Section B and Section C.

### SECTION - A (20 marks)

Answer ANY 08 question out of given 11 questions.

(8x1= 8)

Q.1 Central government of India introduced Pradhanmantri Fasl Bima Yojna in the year-  
A. 2018                      B. 2000                      C. 2016                      D. 2010

Q.2 Identify the farm implement given in this diagram.



Q.3 Which crop is known as wonder crop and gold of America?  
A. Cow pea                      B. Soybean                      C. Sunflower                      D. Mustard

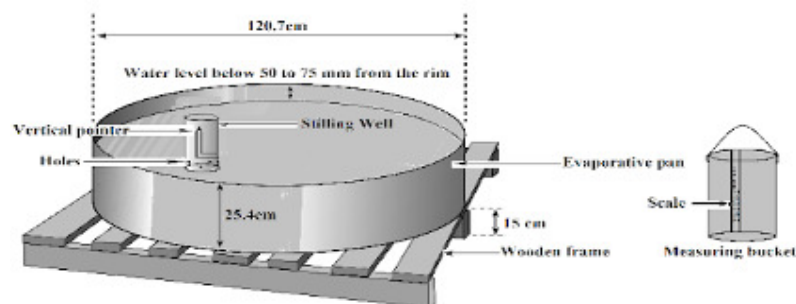
Q.4 Seedless variety of mango Sindhu is cross of -  
A. Neelum x Dashehri                      B. Neelum x Alphonso  
C. Alphonso x Baganpalli                      D. Ratna x Alphonso

Q.5 Nursery area required for transplanting in one hectare in tomato is-  
A. 750m<sup>2</sup>                      B. 250-300m<sup>2</sup>                      C. 100-125m<sup>2</sup>                      D. 400-500m<sup>2</sup>

Q.6 Write the name of two varieties of Wheat.

Q.7 Hybrid tea and Floribanda roses are commercially propagated by-  
A. By grafting                      B. T-budding                      C. Air layering                      D. By seed

Q.8 It is meteorological equipment; It can be used to measure\_\_\_\_\_.



- Q.9 Tag colour of certified seed is\_\_\_\_\_.
- Q.10 IARI is located at\_\_\_\_\_.
- Q.11 Yellow revolution is related with\_\_\_\_\_.

**Answer ANY 06 questions out of the given 08 questions.**

**(6x2 = 12)**

- Q.12 Enlist the different types of soil structure. Which soil structure is best for Agricultural crops and why?
- Q.13 Which factors are responsible for formation of acidic soil? (Write any two)
- Q.14 Write the uses of Knapsack sprayer.
- Q.15 What is secondary tillage? Give example of any two secondary tillage implements.
- Q.16 Enlist any four branches of Agriculture.
- Q.17 Explain about the objectives of co-operative joint farming society.
- Q.18 Write the botanical name, family, chromosome no. and seed rate of wheat.
- Q.19 What is off season tillage?

### **SECTION - B (5x3 = 15)**

**Answer ANY 05 out of given 07 Questions.**

- Q.20 Explain about following special operations followed in banana -  
a) Desuckering      b) Propagation      c) Propping
- Q.21 Write the seed rate, Climatic requirement and name of any two varieties of potato.
- Q.22 What is tissue culture technique? Who is known as father of tissue culture?
- Q.23 Explain about following points related to cauliflower-  
a) Seed rate      b) Blanching      c) Edible part
- Q.24 Write the uses of rose.
- Q.25 What is Kisan Credit Card Scheme? How it works?
- Q.26 Explain about different harvesting stages of tomato.

### **SECTION-C (5x5=25 marks)**

**Answer ANY 05 questions out of the given 06 questions.**

- Q.27 Explain different training methods of grapes in detail.
- Q.28 What are the different classes/ types of seed?
- Q.29 Write the package of practices of sugarcane by describing its climatic requirement, seed rate, seed treatment, planting methods, water requirement and harvesting indices.
- Q.30 What is tillage? Explain about modern concept of tillage.
- Q.31 Explain about different types of soil structure with diagram.
- Q.32 Write the package of practices of Brinjal by describing its climatic requirement, soil requirement, seed rate, Varieties and sowing time.

